

Product Specification

Product class	Item No	Material
LED Cover plate	DK-50-08-GB	PC
LED Lens	DK-50-08-LENS-ZOOM	PMMA
LED Holder	DK-52-SL-ZJ	PC




Set Up:PeiShanWu

Check:Xiaohui Liang

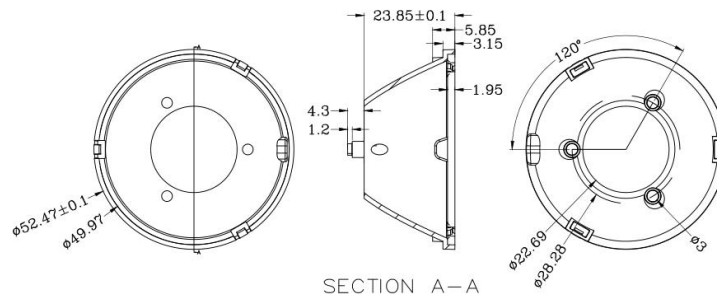
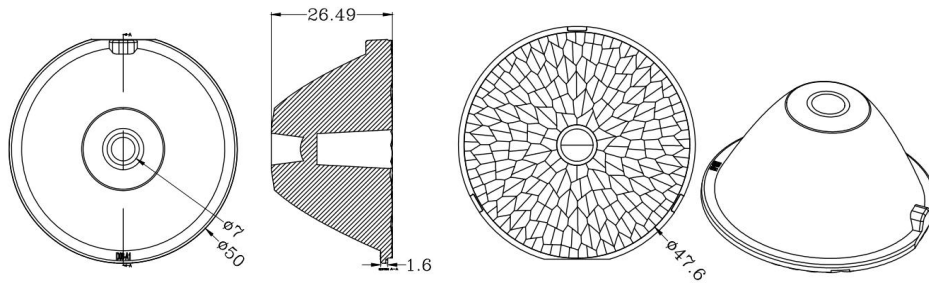
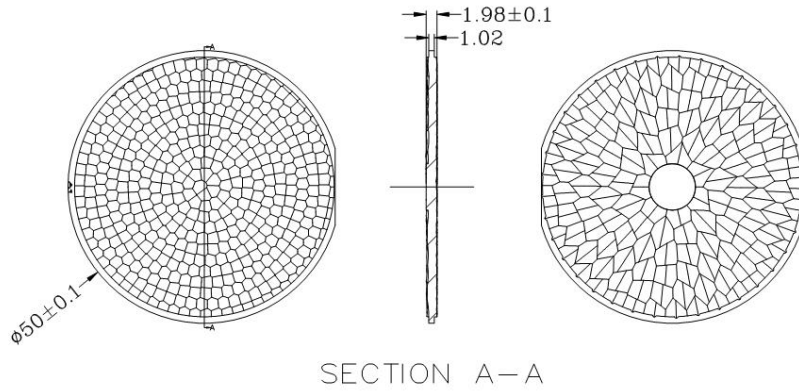
Content

Specification-----	3
2D Drawing-----	4
Packing Details-----	5
Application Notes-----	6

Specification

Item No	Picture	Size	Matched LED	Lighting Application
DK-50-08-GB		Diameter: Φ50mm Height: 1.98mm		
DK-50-08-LENS-ZOOM		Diameter: Φ50mm Height: 26.4mm FWHM: 08°	RGBW	Stage lamp lens
DK-52-SL-ZJ		Diameter: Φ52.47mm Height: 23.85mm		

Drawing



Packing Details

Packing Material	Packing Materil size	Packing Specification
Pearl wool	315*240mm	80PCS/inner box 4 inner box / 1 outer box
White paperboard	A level; 400g; 310*230mm	
Inner box	335*245*105mm	
Outer box	A=B 510*330*255mm	

Application Notes

(1) Please use a little water and soft fabric (air-laid paper) to clean the lens & reflector if necessary.

(2) Forbid to use industrial solvent to clean the lens, such as alcohol.

(3) The working temperature is $-40^{\circ}\text{C} \sim +80^{\circ}\text{C}$ for lens, under 120°C for reflector.

(4) Storage environment temperature is $0^{\circ}\text{C} \sim 40^{\circ}\text{C}$, humidity is 30%~95%。

Optic Lens has the function to change the ray of light, it is made of optical material, the effect shall be influenced once pollute. Please do not open the packing before use it, to avoid the dust pollution.

(5) Protect the product from the sun and other ultraviolet ray, as these will lead to aging, change color, crack, etc.

(6) Please wear gloves once install the lens, avoid to abrasion the lens surface.

(7) Forbid to use acidic or alkaline solution touch the product, avoid to generate the chemical reactions.